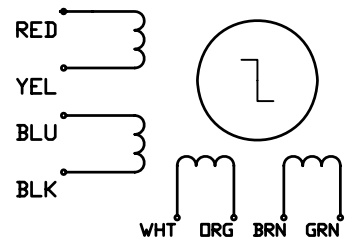


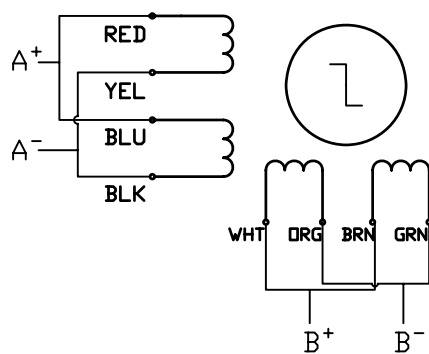
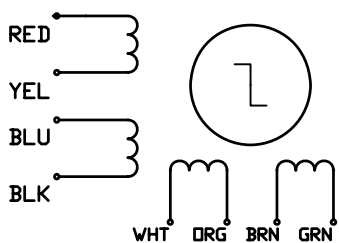
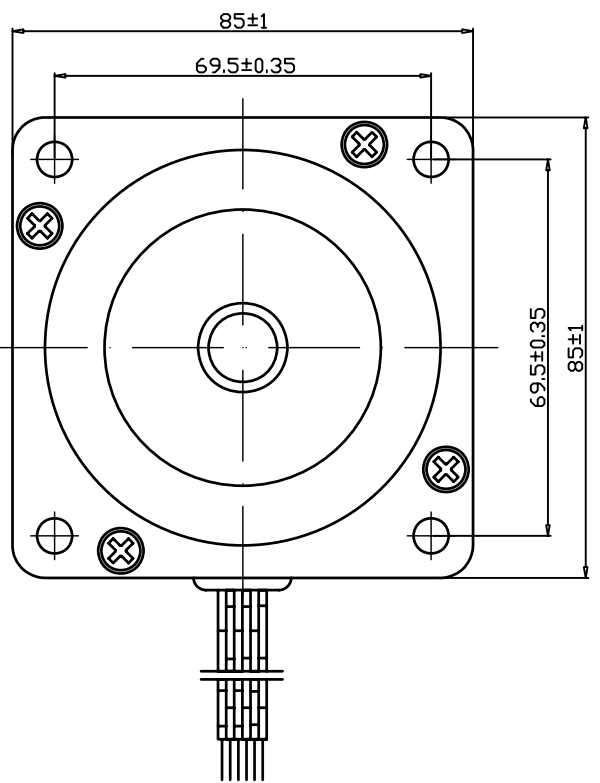
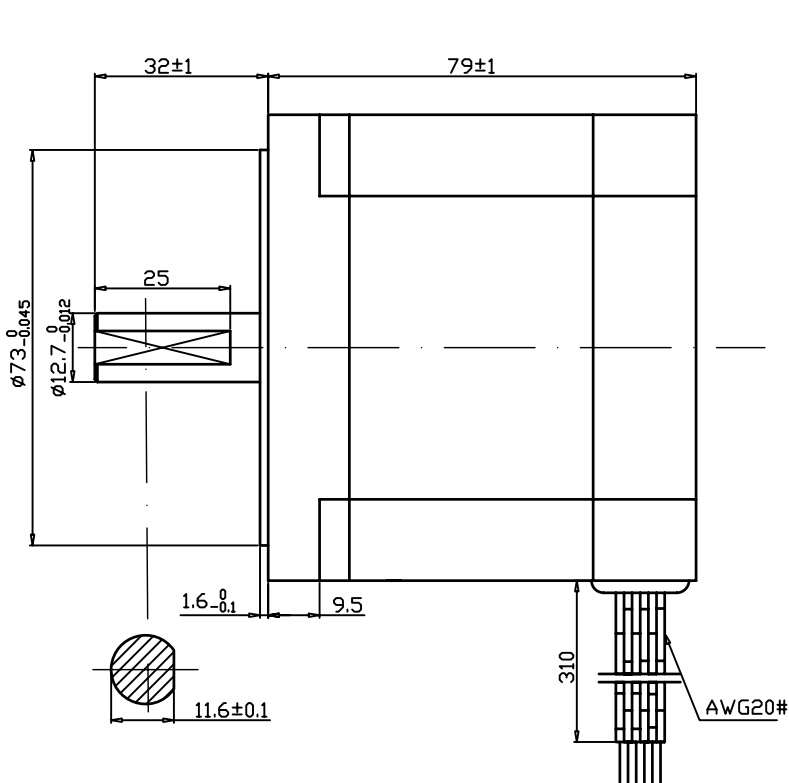
# STEPPING MOTORS TYPE 86BHH80-Y420C-Y32B

COMMON RATINGS		SPECIFICATIONS		Wiring Diagram
STEP ANGLE	1.8°±5%	VOLTAGE	3.36V	
PHASES	4	CURRENT	4.2A	
INSULATION RESISTANCE	100M(×500V DC)	INDUCTANCE	3.7±20% mH	
CLASS OF INSULATION	B level	RESISTANCE	0.8±10%Ω	
WEIGHT	2.4kg	HOLDING TORQUE	45kg.cm	

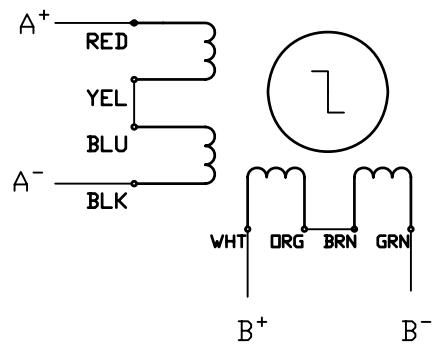


## DIMENSION

units:mm



parallel



serial